



NIAS 3Phase DC

Three-phase Static Meter for Direct Connection

Nias 3Phase DC a cost effective meter with neutral sensor , open protocol ready, support SMS/GPRS and ready for AMR System

COMPATIBILITY

The Nias 3Phase DC is fully compatible with IEC62052-11, IEC62053-21, IEC62053-23 and SPLN D3.006-1 : 2010.

They allow multiple recording of load profiles along with local and remote communication.

- » DIN terminal configuration
- » Neutral sensor
- » Energy recording up to 8 tariffs
- » Customize OBIS code on display
- » 16 channel load profile channels
- » Event log
- » Large backlit display
- » DLMS-Cosem Protocol
- » Optical port
- » SMS/GPRS Support
- » Main cover and terminal cover open detector

MODULARITY

The Nias 3Phase DC can be tailored to the exact needs of the installation.

A variety of functions and interaces are available and can be easily integrated to meet market requirements :

- » Latching Relay
- » 4 X Control Output
- » 2 X Control Input
- » 4 X Pulse Output
- » External Temperature Measurement
- » RS485
- » RS232

ADDING VALUE

Through the application of the latest-generation metrological and communications technologies, Nias 3Phase DC meters bring significant benefits to utilities and end-users alike, adding value to every aspect of the metering process.

- » Reduced Data Collection Cost
- » Reduced Non-Technical Losses
- » Withstand Adverse Environments
- » Excess Consumption Feature
- » 40 Instantaneous values can be read / display

KEY FEATURES

Multi-Energy

Internal measurement of active and reactive power in each direction.

Load Profiles

Up to 16 channels for various base quantities into two independent profiles.

Multi-Rate

- » Multi-rate billing for energy and demand.
- » 10 Basic quantities can be submitted to billing.
- » 8 energy-rate and 8 demand-rate registers are available.
- » Rate switching performed by internal clock.

Communications

- » Two communication channels.
- » Local- and remote-reading ports.
- » DLMS-Cosem compliance opens to GPRS and IP networks.

Software

Itron offers a complete range of associated software:

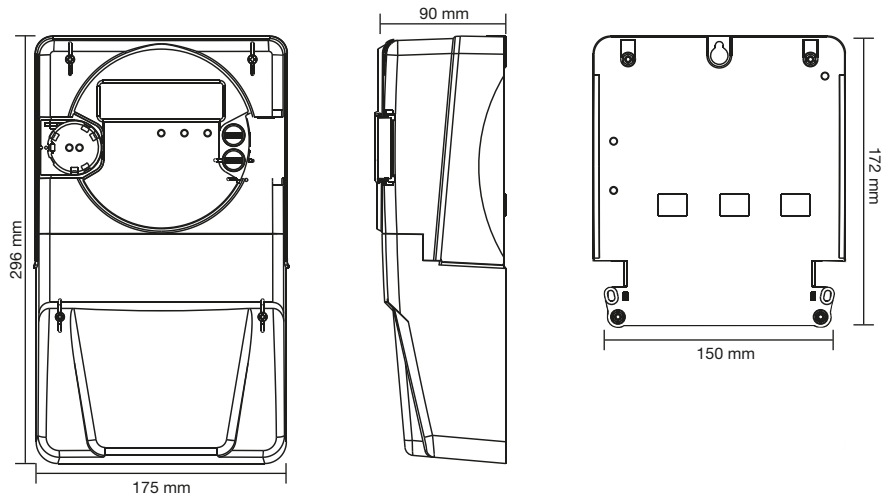


- » Ametys CAS software for reading and programming
- » Compatibility with already deployed AMR systems

TECHNICAL SPECIFICATIONS

Ratings	Voltage: Direct Current:	3*230/400V Ib 5A, I _{max} 80A
Network Types	Direct Connection:	4-wire meter, fully operational in 3-wire connection with neutral
Accuracy	Direct Connected: Reactive energy:	Active energy : Class 1 or 0.5 Class 2
Frequency	50 Hz	
Real Time Clock	Back up with external removable battery and internal super capacitor Compliant with IEC 62054-21	
Operating Temperature Range	-25°C to + 55°C	
Standards	IEC62052-11, IEC62053-21, IEC62053-23 and SPLN D3.006-1 : 2010	
Communications	IR-port (IEC 62056/21 and IEC 62056/42-46-53-61-62) RS232C or RS485 DLMS-Cosem, Protocol (IEC 62056/42-46-53-61-62)	

» DIMENSIONS



Our company is the world's leading provider of smart metering, data collection and utility software systems, with over 8,000 utilities worldwide relying on our technology to optimize the delivery and use of energy and water.

To realize your smarter energy and water future, start here: www.itron.com

For more information, contact your local sales representative or agency:

ITRON INDONESIA

Factory & Office

PT MECOINDO
EJIP Plot 6B-2
Cikarang Selatan, Bekasi 17550
Jawa Barat – Indonesia
Phone : +62 21 897 0270
Fax : +62 21 897 6063 (direct)
+62 21 897 0271